



Applications:

- Fiber to the home (FTTH)
- For use in outdoor application
- Wall mounted and pole installation
- Aerial, Direct Buried and Underground (shaft)

Features:

- Dome type
- Protection Level: IP68
- Suitable for protecting fibre cable splices
- Slot for Mini type splitter body
- Resistance to vibration, UV and temperature fluctuation
- Sealing Structure Silicon Gum Material
- Easily re-enter without any tools, saves time and cost
- Rugged construction for long term reliability



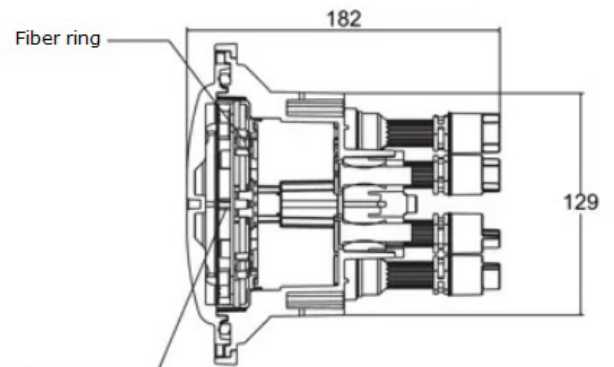
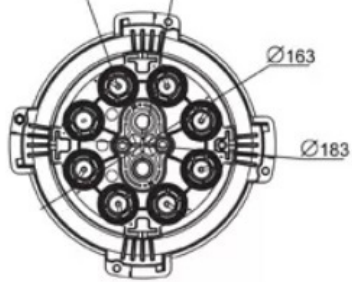
Technical Information:

Height size	183mm
Width size	182mm
Base Type	Mechanical Sealing
Cable Entrance	1 oval + 8 drop ports with integrated SC adapters
Cable diameter oval port	up to 2xØ10-16mm
Cable diameter drop port	up to 3mm
Max number of Splice Trays	1
Core capacity per splice tray	12
Dome & Base Material	PP (Polypropylene)

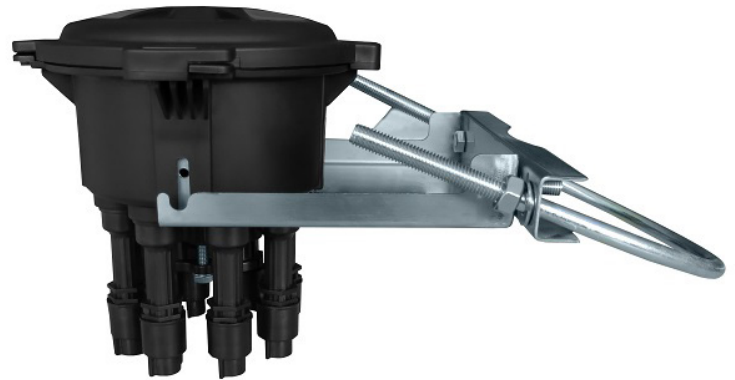


8pcs. fast conentors
for drop cable

2pcs cables with dia 10-16mm
are available for oval port



1pc splice tray
available



Accessories included in Package Content:

- Protection sleeves, Oval rubber sealing kit, Round rubber sealing kits, Transport tubes, Wall maunted and Pole maunted brackets

