

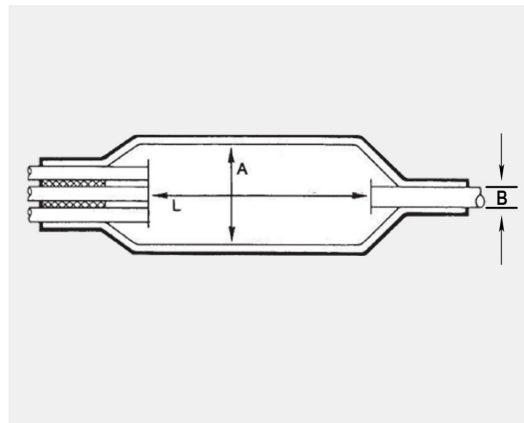


Features and benefits

- The sleeve's layered design delivers high protection against physical impact during and after setup
- Built-in moisture seal recreates the cable jacket along the entire splice section
- Allows connection of up to 3 cables on each side using hot-melt adhesive finger clips
- Visual installation cues: thermal paint reaction, adhesive movement, and guiding white stripe
- Wide size compatibility supports joints with up to 3600 wire pairs



SPECIFICATIONS			
Product series	RSBJ-500	RSBJ-530	RSBJ-550
Size range	Up to 800 pair	Up to 800 pair	Up to 3600 pair
Liner material	Laminated cardboard	Non-hygroscopic Profoam	Aluminum canister
Application	Adaptable liner designed to fit most installation needs	Reliable operation in high-humidity and tropical environments	Maximum physical protection and compatibility with large-format enclosures



Description RSBJ-500 RSBJ-530 RSBJ-550	Splice bundle dia.Max. (mm) (A)	Single cable dia.Min. (mm) (B)	Sheath opening length (L)	Applicable cable pair	
				Wire diameter 0.4mm	Wire diameter 0.5mm
43/8-150	43	8	150	10-30	10-20
43/8-200	43	8	200	10-30	10-20
43/8-350	43	8	350	50-100	20-50
43/8-500	43	8	500	50-100	20-50
55/12-400	55	12	400	100-200	50-100
75/15-250	75	15	250	200-300	50-200
75/15-500	75	15	500	200-300	50-200
75/15-650	75	15	650	250-400	100-300
92/25-500	92	25	500	400-600	200-500
92/25-650	92	25	650	400-600	200-500
122/30-500	122	30	500	600-1000	600-1000
122/30-650	122	30	650	600-1000	600-1000
**160/42-500	160	42	500	1200-1600	1200-1600
**160/42-700	160	42	720	1200-1600	1200-1600
**200/50-500	200	50	500	1800-3600	1600-2400
**200/50-720	200	50	720	1800-3600	1600-2400

*other sizes are available

**160/42, 200/50 only available for RSBJ-550