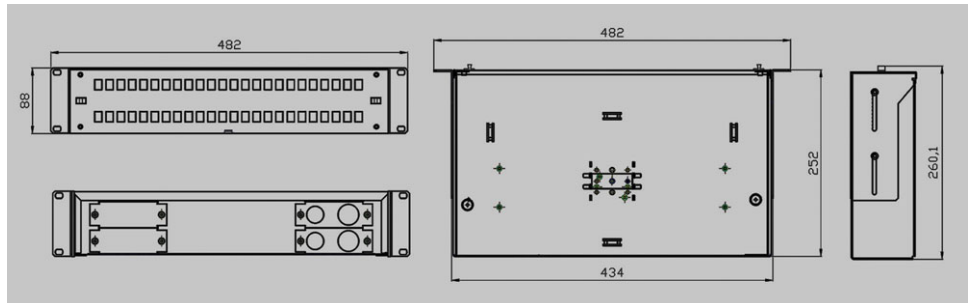
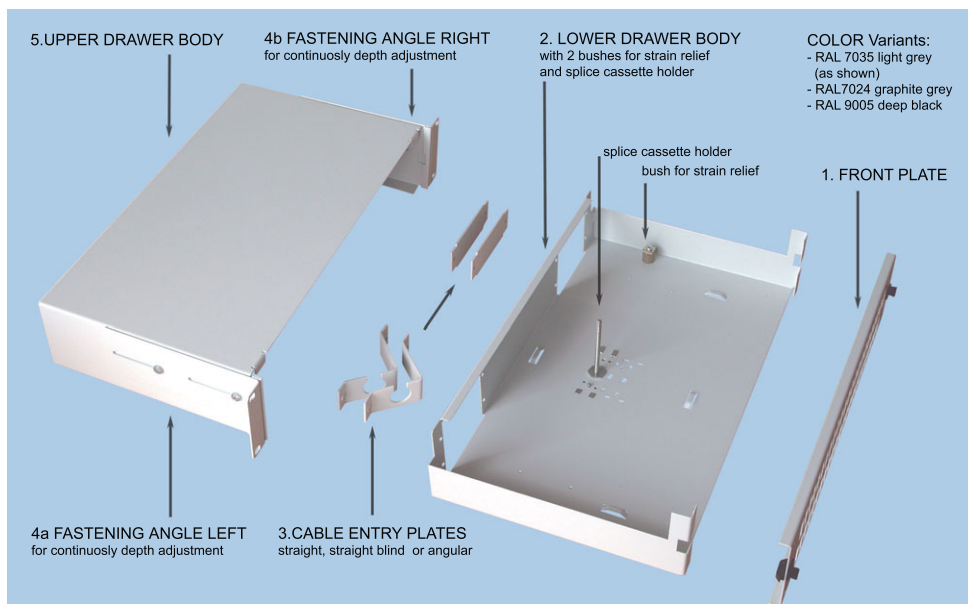


## 19" 2U Patch panel serie PPSR2U - E1 "Standard"



### Features:

- Drawer version, with easy and quick opening system
- Optimal dimensions (insertion depth 250mm), compliance to all bending radius
- Adjustable mounting depth, through adjustable angles
- Integrated adjustable splice cassette holder with rotation protection. Designed for use of 8 cassettes, by using as Breakout box it is possible to remove holder without tools
- Designed for fixing and managing pigtails and cables on body bottom
- Drawer stays hanging when pulled out. The drawer can be easily removed without tools
- Various cable entry plates for PG or Metric, with possibility to change the left/right and straight/angled cable entry.
- Removable front plate with wipe proof signature
- Entry plates available for all standard connector types



### Configure your patch panel:

1. Select front plate
2. Select cable entry plate
3. Select colour (powder coating RAL7035 light grey, RAL7024 graphite grey or RAL 9005 deep black on request)

### Material description:

- complete steel execution, with plastic ledges
- powder coating RAL7024 graphite grey, RAL7035 light grey or RAL 9005 deep black

## 19" 2U Patch panel serie PPSR2U - E1 "Standard"

### Patch panel body



19" Sliding recessable 2U Patch panel body with splice cassette holder with adjustable fastening angles and 2 bushes for strain relief:

Designation *euroclust*

RAL 7035 light grey  
RAL 7024 graphite grey  
RAL 9005 graphite grey

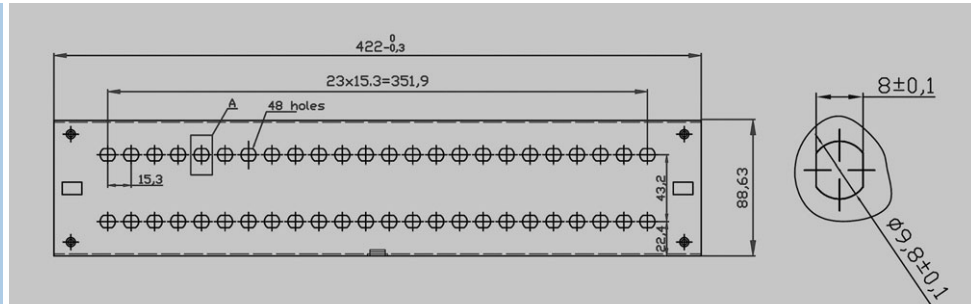
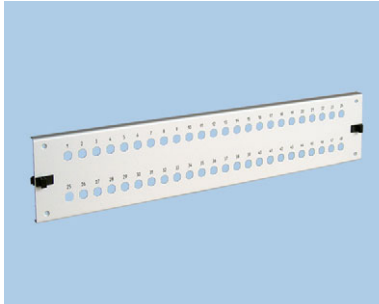
Type

PPBSR2U-E.1  
PPBSR2U-E.2  
PPBSR2U-E.3

Article Number

EC03.101010.005  
EC03.101010.006  
EC03.101010.007

### Front plate ST, FC H-hole



Front plates for ST, FC H-hole adapter with 2 hand latches medium and 4 pcs fastening screws for SR body type 2HU, with:

Designation *euroclust*

48 holes RAL 7035 light grey  
48 holes RAL 7024 graphite grey  
48 holes RAL 9005 deep black  
72 holes RAL 7035 light grey

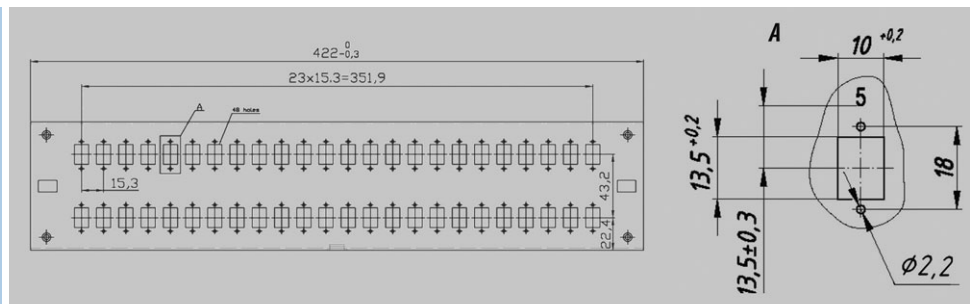
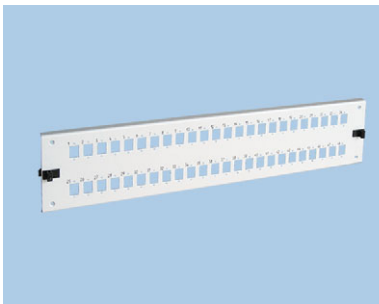
Type

FPSR2U-E/48ST.1  
FPSR2U-E/48ST.2  
FPSR2U-E/24ST.3  
FPSR2U-E/72ST.1

Article Number

EC03.101020.052  
EC03.101020.058  
EC03.101020.059  
EC03.101020.066

### Front plate E2000



Front plates for E2000 M2 screw hole adapter with 2 hand latches medium and 4 pcs fastening screws for SR body type 2HU, with:

Designation *euroclust*

48 holes RAL 7035 light grey  
48 holes RAL 7024 graphite grey  
48 holes RAL 9005 deep black  
72 holes RAL 7035 light grey

Type

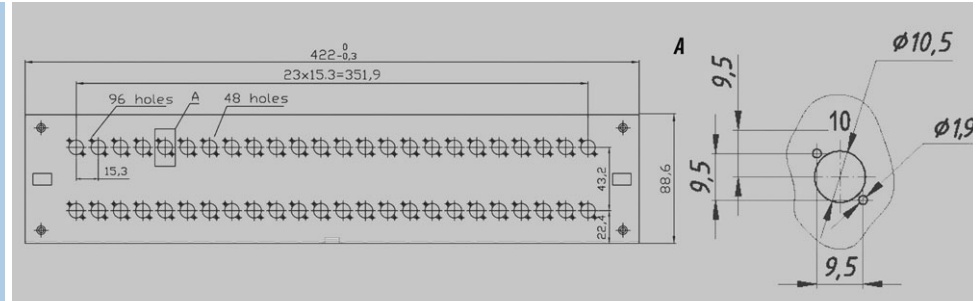
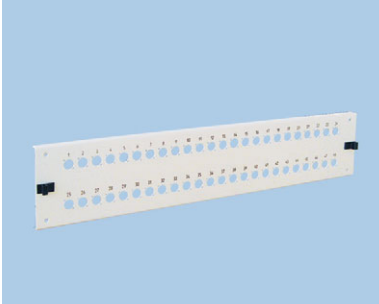
FPSR2U-E/48E2N.1  
FPSR2U-E/48E2N.2  
FPSR2U-E/48E2N.1  
FPSR2U-E/72E2N.1

Article Number

EC03.101020.062  
EC03.101020.063  
EC03.101020.064  
EC03.101020.074

## 19" 2U Patch panel serie PPSR2U - E1 "Standard"

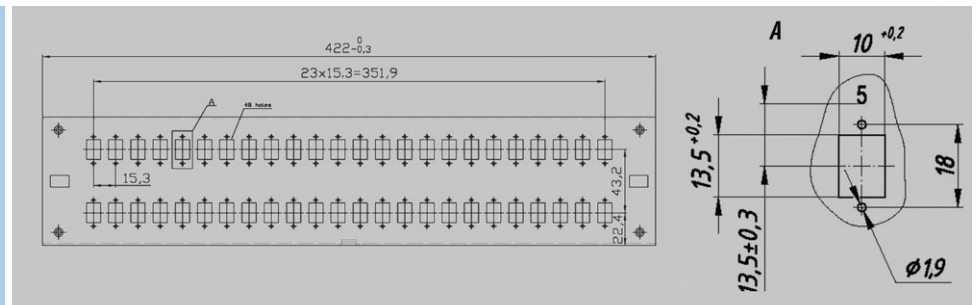
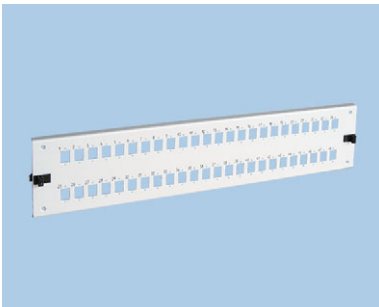
### Front plate FC Square



Front plates for FC/PC square adapter with 2 hand latches medium and 4 pcs fastening screws for SR body type 2HU, with:

Designation euroclust	Type	Article Number
48 holes RAL 7035 light grey	FPSR2U-E/48FC.1	EC03.101020.053
48 holes RAL 7024 graphite grey	FPSR2U-E/48FC.2	EC03.101020.060
48 holes RAL 9005 deep black	FPSR2U-E/48FC.3	EC03.101020.061
72 holes RAL 7035 light grey	FPSR2U-E/72FC.1	EC03.101020.067

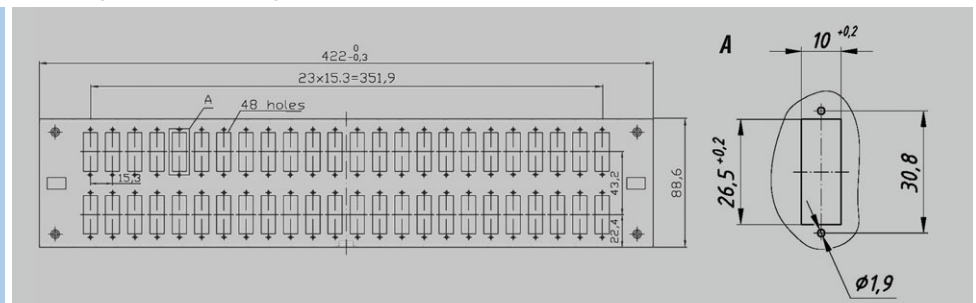
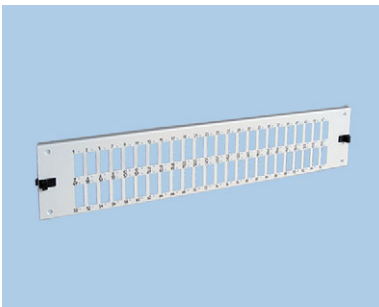
### Front plate SC SX, LC DX



Front plates for SCsx, E2000, LCsx, LCdx adapter with 2 hand latches medium and 4 pcs fastening screws for SR body type 2HU, with:

Designation euroclust	Type	Article Number
48 holes RAL 7035 light grey	FPSR2U-E/48SC.1	EC03.101020.050
48 holes RAL 7024 graphite grey	FPSR2U-E/48SC.2	EC03.101020.054
48 holes RAL 9005 deep black	FPSR2U-E/48SC.3	EC03.101020.055
72 holes RAL 7035 light grey	FPSR2U-E/72SC.1	EC03.101020.065

### Front plate SC Duplex

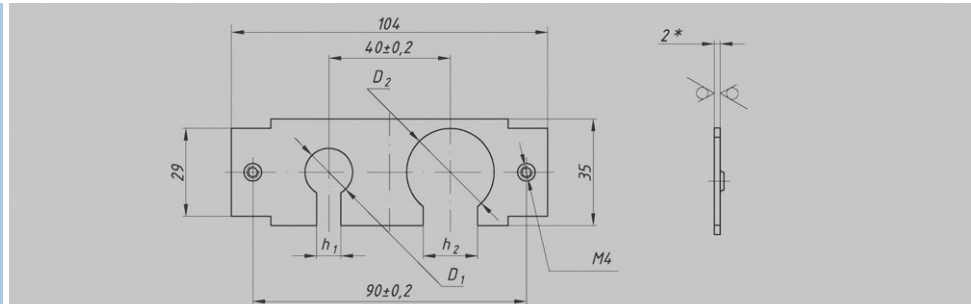
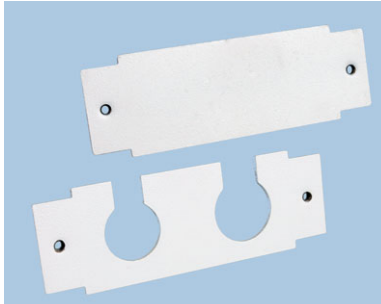


Front plates for SC dx adapter with 2 hand latches medium and 4 pcs fastening screws for SR body type 2HU, with:

Designation euroclust	Type	Article Number
48 holes, RAL 7035 light grey	FPSR2U-E/48SD.1	EC03.101020.051
48 holes, RAL 7024 graphite grey	FPSR2U-E/48SD.2	EC03.101020.056
48 holes, RAL 9005 deep black	FPSR2U-E/48SD.3	EC03.101020.057

19" 2U Patch panel serie PPSR2U - E1 "Standard"

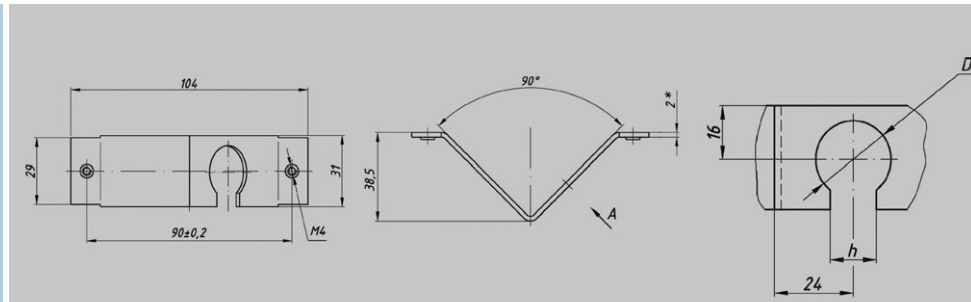
Cable entry plate interchangeable straight



Cable entry plate interchangeable, 1HU and 2HU straight, with 2 pcs fastening screws:

Designation euroclust	Type	Article Number
closed, RAL 7035 light grey	EP1U/SBB.1	EC03.101030.001
closed, RAL 7024 graphite grey	EP1U/SBB.2	EC03.101030.002
closed, RAL 9005 deep black	EP1U/SBB.3	EC03.101030.093
for PG 7 and PG 11 glands, RAL 7035 light grey	EP1U/SPG7PG11.1	EC03.101030.003
for PG 7 and PG 11 glands, RAL 7024 graphite grey	EP1U/SPG7PG11.2	EC03.101030.004
for PG 11 and PG 13 glands, RAL 7035 light grey	EP1U/SPG11PG13.1	EC03.101030.021
for PG 11 and PG 13 glands, RAL 7024 graphite grey	EP1U/SPG11PG13.2	EC03.101030.022
for PG 13 and PG 16 glands, RAL 7035 light grey	EP1U/SPG13PG16.1	EC03.101030.005
for PG 13 and PG 16 glands, RAL 7024 graphite grey	EP1U/SPG13PG16.2	EC03.101030.006
for PG 13 and PG 16 glands, RAL 9005 deep black	EP1U/SPG13PG16.3	EC03.101030.092
for PG 16 and PG 21 glands, RAL 7035 light grey	EP1U/SPG16PG21.1	EC03.101030.023
for PG 16 and PG 21 glands, RAL 7024 graphite grey	EP1U/SPG16PG21.2	EC03.101030.024
for M16 and M20 glands, RAL 7035 light grey	EP1U/SM16M20.1	EC03.101030.007
for M16 and M20 glands, RAL 7024 graphite grey	EP1U/SM16M20.2	EC03.101030.008

Cable entry plate interchangeable angular



Cable entry plate interchangeable, 1HU and 2HU, angular, with 2 pcs fastening screws:

Designation euroclust	Type	Article Number
PG 7 gland, RAL 7035 light grey	EP1U/APG7B.1	EC03.101030.009
PG 7 gland, RAL 7024 graphite grey	EP1U/APG7B.2	EC03.101030.010
PG 9 gland, RAL 7035 light grey	EP1U/APG9B.1	EC03.101030.025
PG 9 gland, RAL 7024 graphite grey	EP1U/APG9B.2	EC03.101030.026
PG 11 gland, RAL 7035 light grey	EP1U/APG11B.1	EC03.101030.011
PG 11 gland, RAL 7024 graphite grey	EP1U/APG11B.2	EC03.101030.012
PG 13,5 gland, RAL 7035 light grey	EP1U/APG13B.1	EC03.101030.013
PG 13,5 gland, RAL 7024 graphite grey	EP1U/APG13B.2	EC03.101030.014
PG 13,5 gland, RAL 9005 deep black	EP1U/APG13B.3	EC03.101030.091
PG 16 gland, RAL 7035 light grey	EP1U/APG16B.1	EC03.101030.015
PG 16 gland, RAL 7024 graphite grey	EP1U/APG16B.2	EC03.101030.016
PG 21 gland, RAL 7035 light grey	EP1U/APG21B.2	EC03.101030.027
PG 21 gland, RAL 7024 graphite grey	EP1U/APG21B.2	EC03.101030.028
M 16 gland, RAL 7035 light grey	EP1U/AM16B.1	EC03.101030.017
M 16 gland, RAL 7024 graphite grey	EP1U/AM16B.2	EC03.101030.018
M 20 gland, RAL 7035 light grey	EP1U/AM20B.1	EC03.101030.019
M 20 gland, RAL 7024 graphite grey	EP1U/AM20B.2	EC03.101030.020